

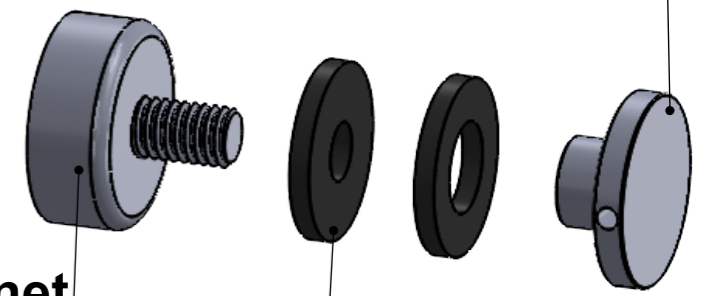
Set of 4 (Set Included Screws and Anchors)

Zinc Steel Washer

Stainless Steel 304 Cap

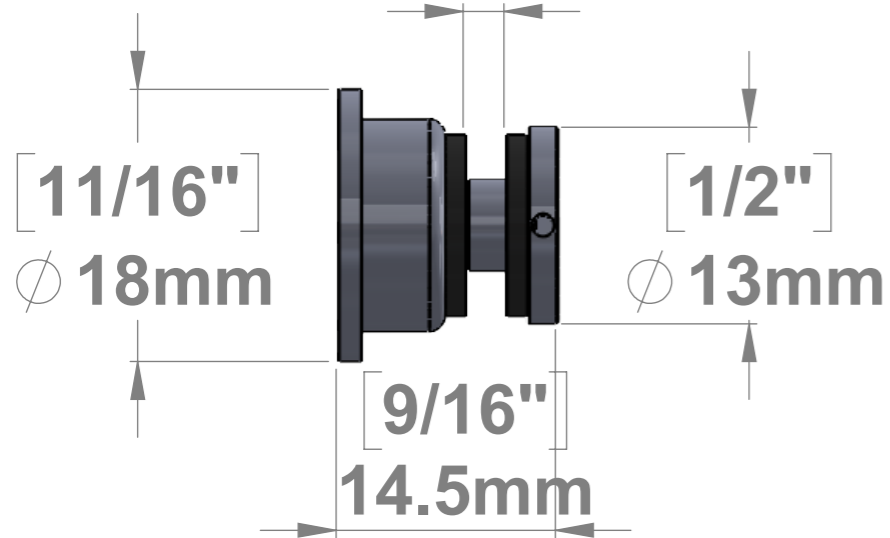
Zinc Steel With Magnet

2 Black Foam Washer



[1/8"]
2.7mm

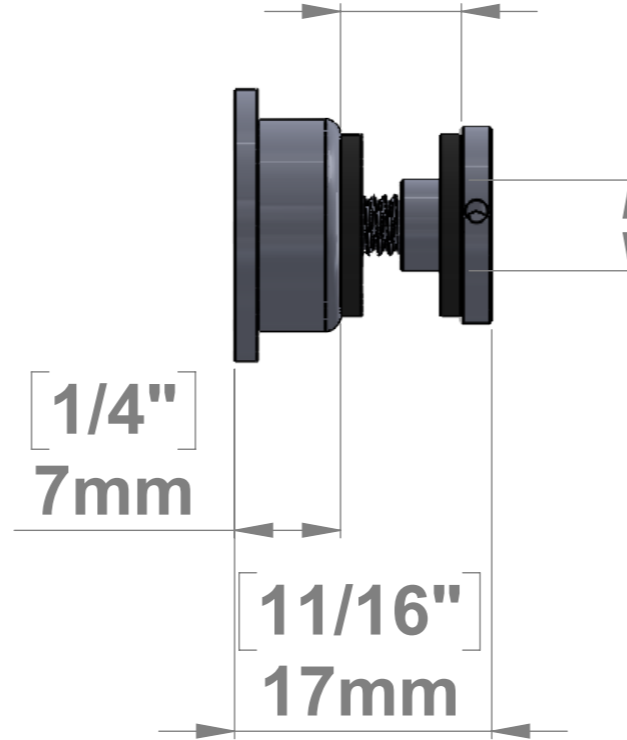
Minimum Material
Thickness



Required Material
Hole Size: 1/4"

[5/16"]
8mm

Maximum Material
Thickness

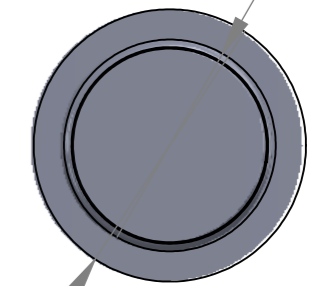


[1/4"]
Ø 6mm

Required Material
Hole Size: 1/4"

[9/16"]
Ø 14mm

[11/16"]
Ø 18mm



Title : MS075			Scale : 2:1	Mbs R&D	
			Sizes : Letter Landscape	Customer:	
 Mbs Standoffs 5046 W Linebaugh Ave Tampa, FL 33624 USA 1 (813) 938-6025	Material:	Finish	Qty :	Rep :	
	N°programme laser	N°prog. Mécanum.	N° Plan :		